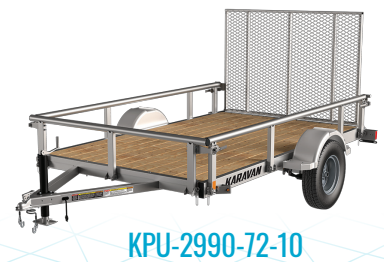
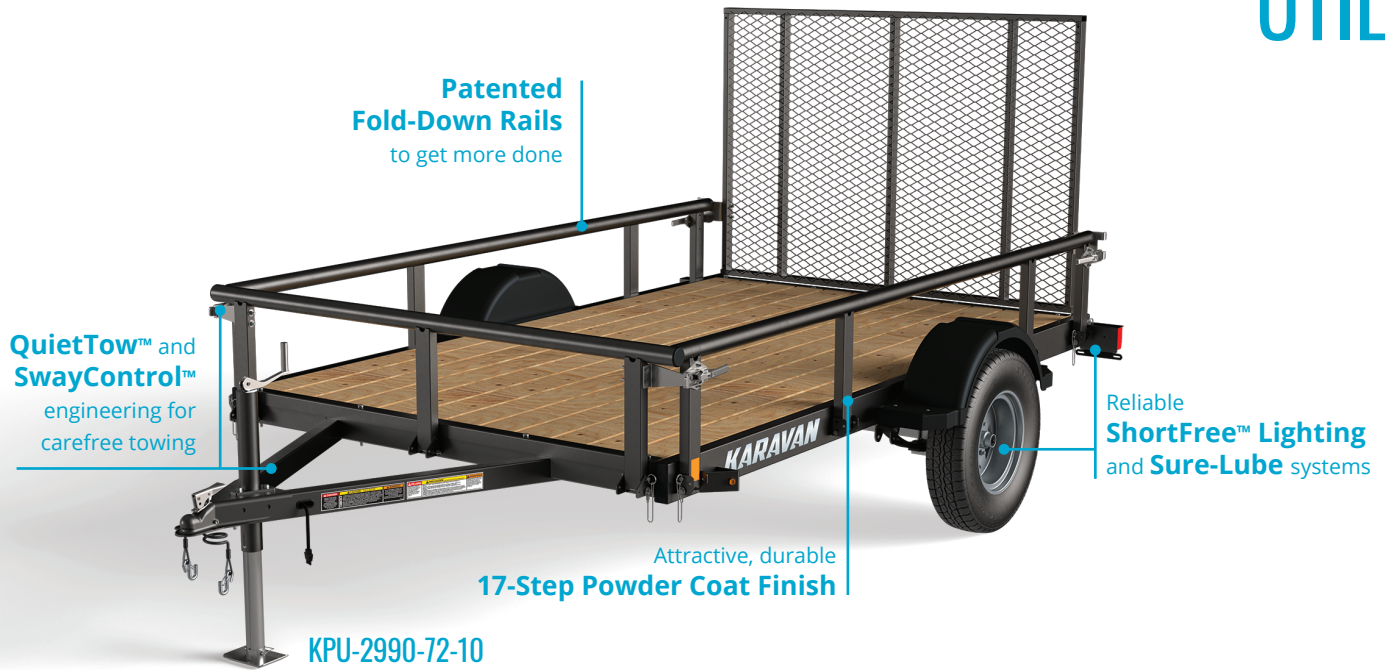


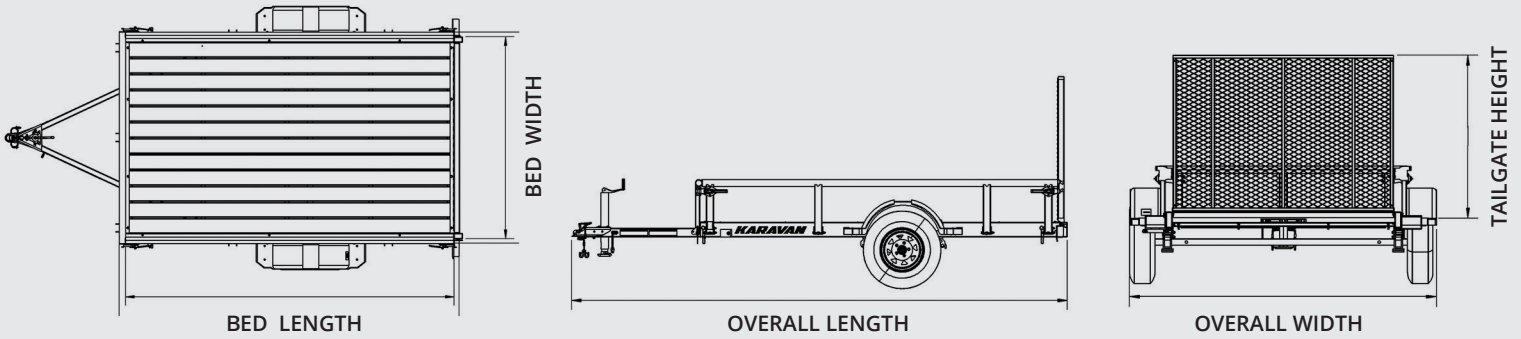
KARAVAN

UTILITY



Some models shown with optional features

Utility Trailer Dimensions



SPECS		Overall Length	Overall Width	Bed Length	Bed Width	Tailgate Height	Trailer Weight	GVWR	Carrying Capacity	Tire Size	Hitch Ball Size
STEEL FOLD-DOWN RAILS	KPU-2000-60-8	143"	76"	96"	60"	44"	517 lb	2000 lb	1483 lb	4.80 X 12C	2"
	KPU-2990-60-10	168"	82"	120"	60"	49"	753 lb	2990 lb	2237 lb	ST215/75D14C	2"
	KPU-2990-72-10	168"	96"	120"	74"	49"	935 lb	2990 lb	2055 lb	ST215/75D14C	2"
	KPU-2990-72-12	192"	96"	144"	74"	49"	967 lb	2990 lb	2023 lb	ST215/75D14C	2"
STEEL STEEL-PLANK FLOOR	KUS-2990-72-10	185"	96"	135"	75"	30"	805 lb	2990 lb	2185 lb	ST215/75D14C	2"
	KUS-2990-72-12	208"	96"	156"	75"	30"	890 lb	2990 lb	2100 lb	ST215/75D14C	2"
	KUS-2990-78-14	229"	100"	183"	78"	30"	905 lb	2990 lb	2085 lb	ST225/75D15C	2"
ALUMINUM	SCU-2200-56	130"	78"	96"	56"	40"	368 lb	2090 lb	1722 lb	ST175/80D13B	2"
	MFF-2200-56	133"	77"	96"	56"	40"	414 lb	2090 lb	1676 lb	5.30 x 12C	2"
	SCU-2990-72-10	168"	95"	120"	72"	45"	568 lb	2990 lb	2422 lb	ST205/75D14C	2"
	SCU-2990-72-12	192"	95"	144"	72"	45"	653 lb	2990 lb	2337 lb	ST205/75D14C	2"

FEATURES

SwayControl™ Engineering

Welded tubular frame and A-frame tongue on most models

Durable and Attractive High Quality Finish

17-step powder coating; galvanized available on some models

Patented Fold-Down Rails

Makes side loading cargo easy

Patented Aluminum Modular Design

AL models are attractive, low profile, and easy to move

QuietTow™ Componentry

Tensioner latches and nylon bushings eliminate rattle and squeak

High Reliability ShortFree™ Lighting System

Fully grounded and all plug (no ScotchLoks); wiring is concealed

Sure-Lube Wheel Bearing Grease System

Allows quick and clean greasing for easy maintenance

Coated Self-Coiling Safety Cables

Cables coil out of the way when not in use

KARAVAN

PO Box 27 Fox Lake, WI 53933 fx 920.928.6201
www.karavantrailers.com